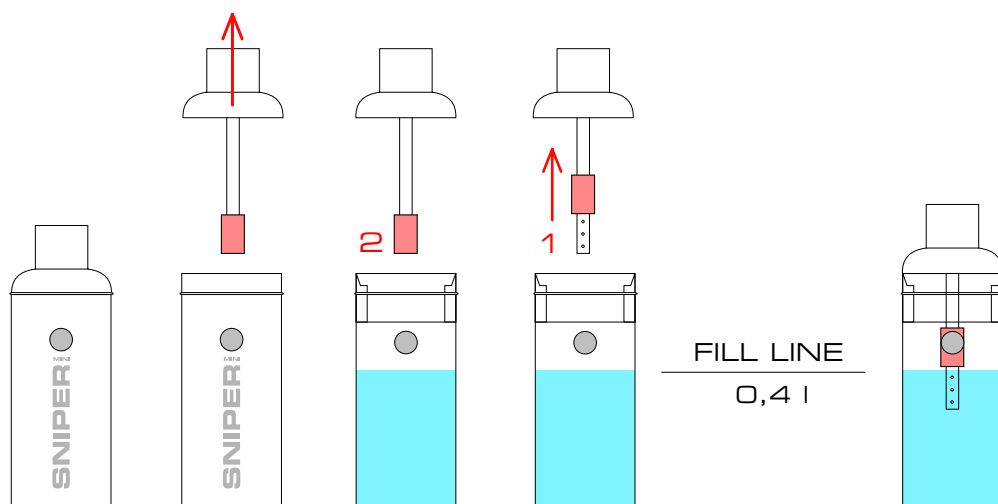


MINI SNIPER  
SHISHA USER GUIDE

[www.medusepipes.com](http://www.medusepipes.com)

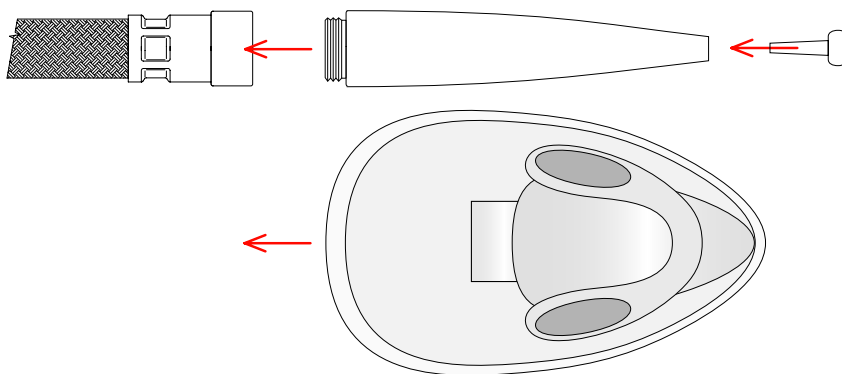
## 1. WATER FILLING

- > Remove the upper stainless steel part of the water pipe
- > Fill the water pipe stainless steel corpus up to the marked line (0.4 l)
- > A red rubber cap, which is used to open or close the vent holes, is applied on the head tube.  
In position **1**, the vent holes of the head are open and the pipe is in active mode  
In position **2**, the vent holes are closed and the pipe is ready to be transported
- > Put the upper part of the water pipe back again
- > Total height: **23 cm (9")**



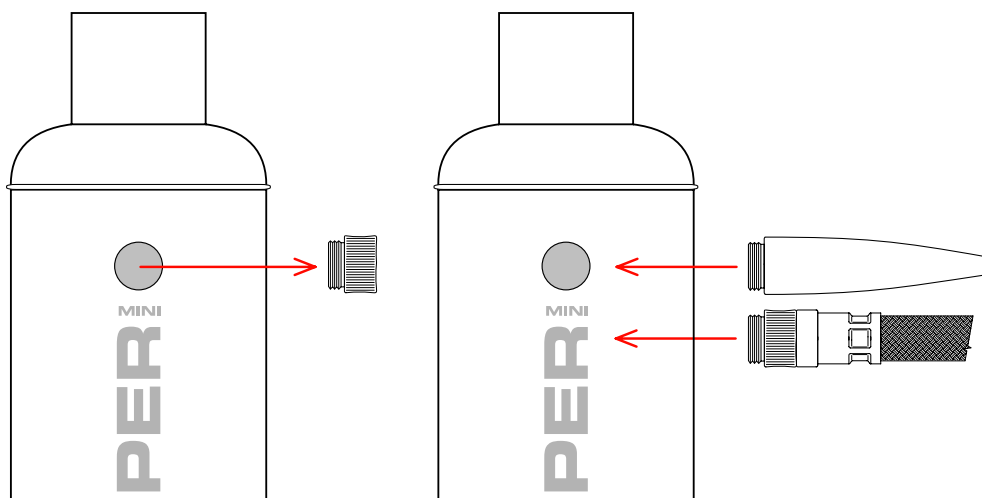
## 2. WASHABLE HOSE SET UP

- > Screw the stainless steel grip in or put the breathing mask on the hose
- > A tip may be inserted into the grip
- > Hose length: **128 cm (50.4")**



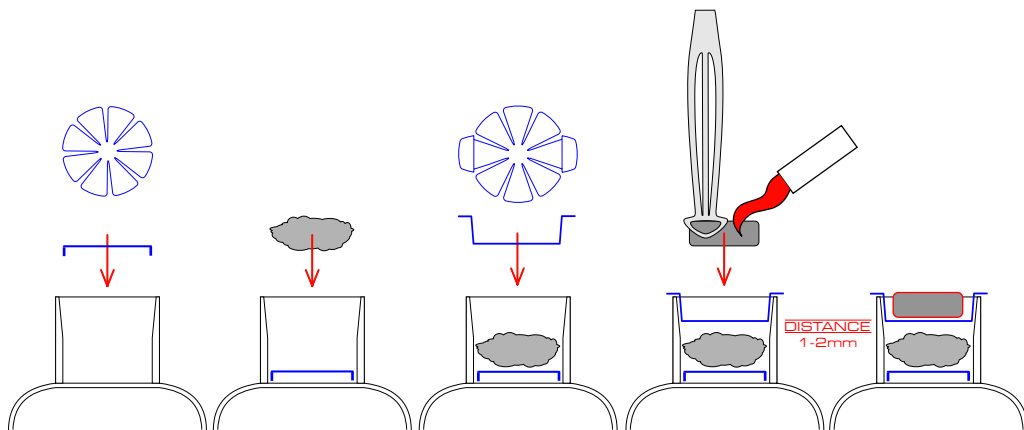
## 3. HOSE INSTALLATION

- > Screw out the stainless steel stopper
- > Screw in the complete hose or just the stainless steel mouthpiece
- > At one end the hose is equipped with a rotary socket, which allows its much easier assembly into the water pipe corpus



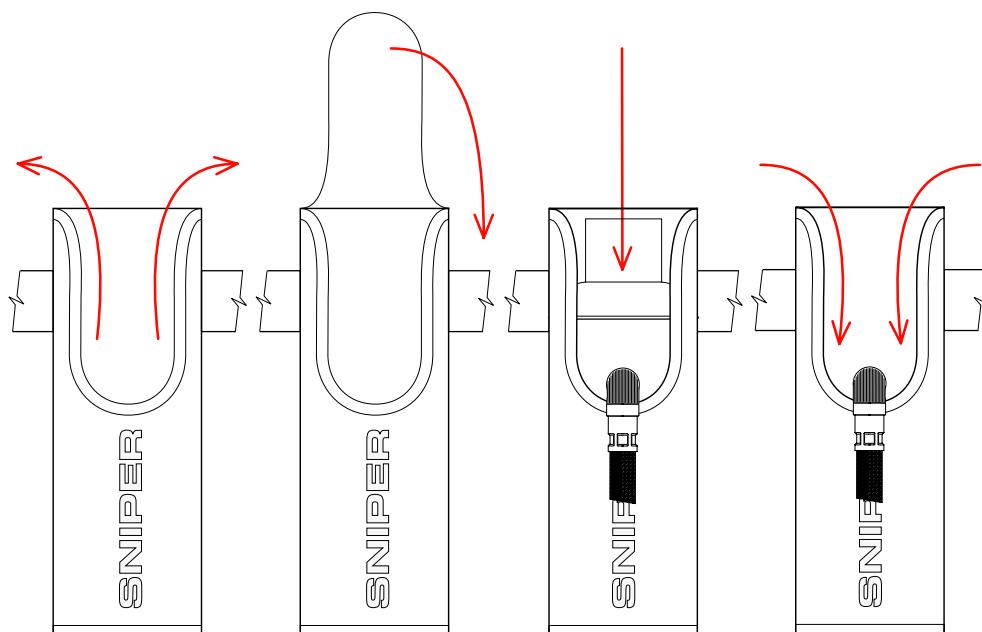
## 4. HEAD SET UP

- > Put the lower stainless steel screen filter in the head, so that it would rest at the bottom of the head (the bent part down, see the picture)
- > Fill the head with tobacco (7-8 g = approx 50-60 min. of smoking)
- > Put the upper stainless steel screen filter into the head (recommended distance of 1-2 mm between tobacco and the screen filter, tobacco will not be burned onto the screen filter)
- > Light the charcoal (recommended self-lighting charcoal 33 mm) and place it into the upper screen filter
- > The water pipe is ready to be smoked



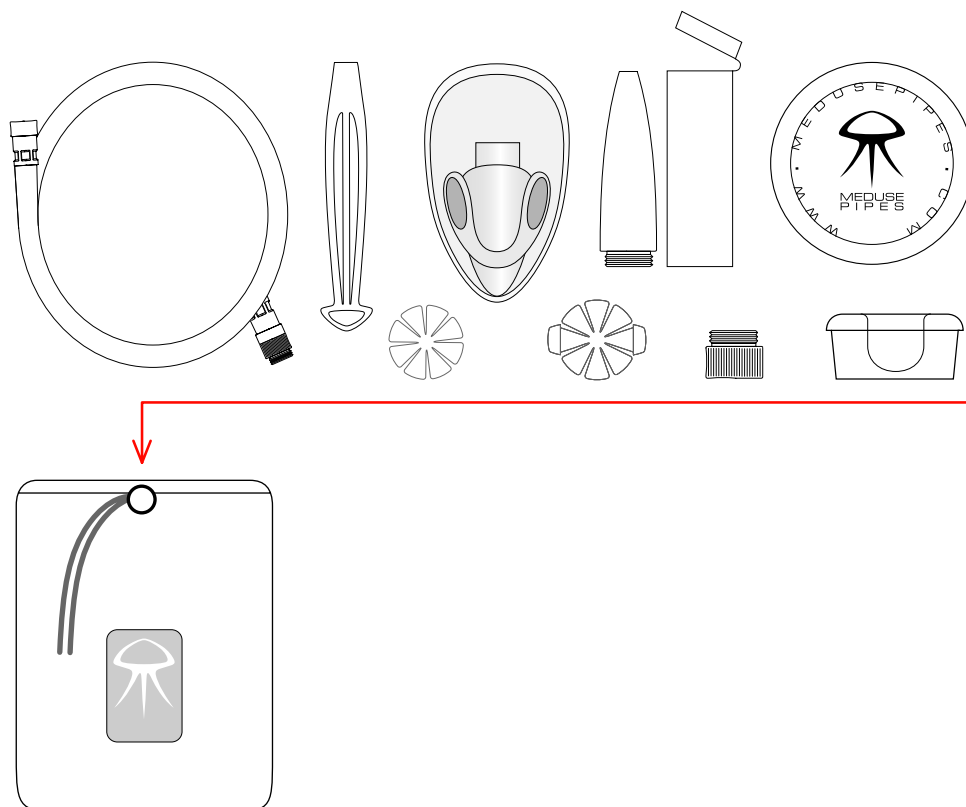
## 5. MINI SNIPER IN MOTION

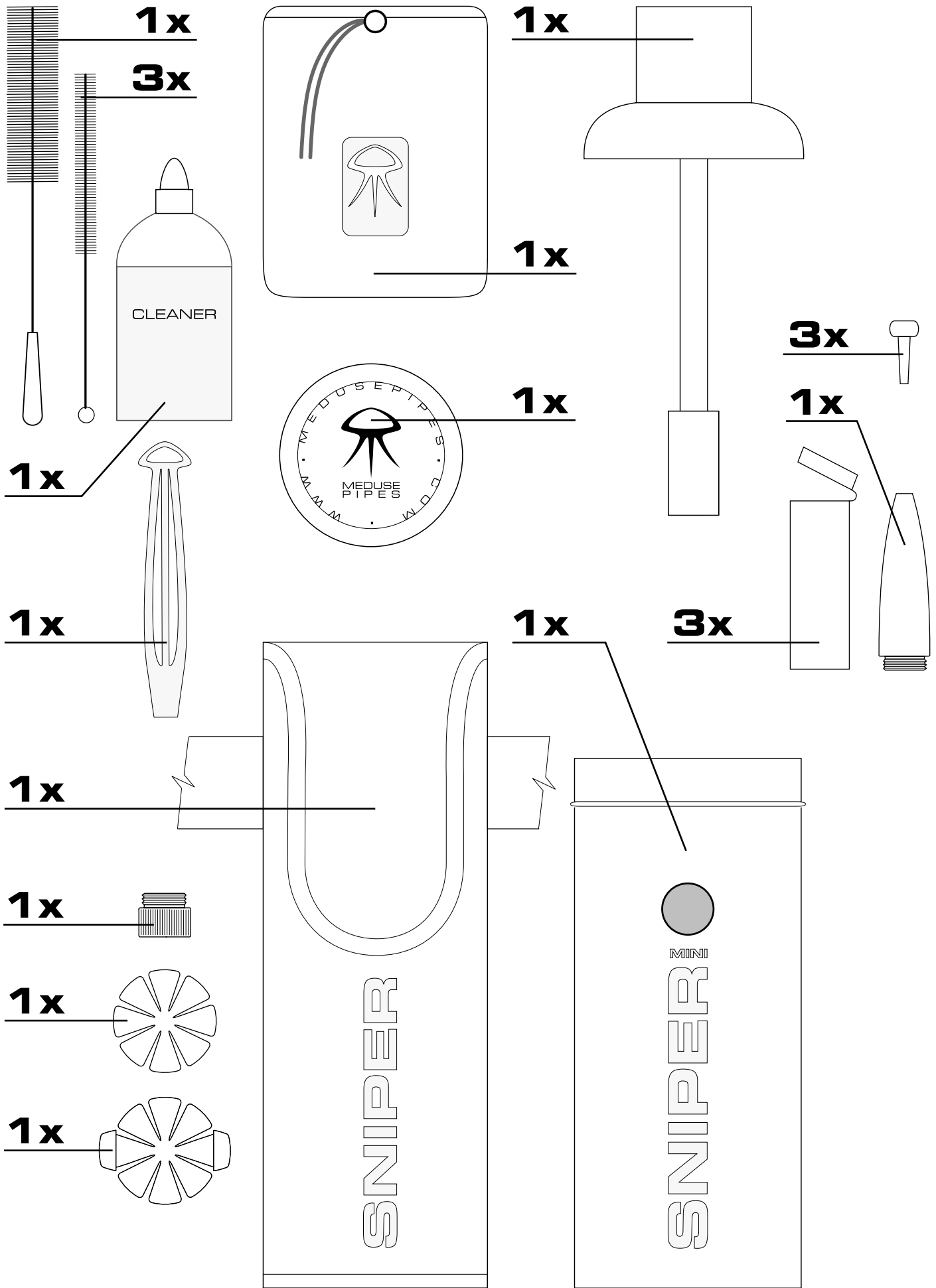
- > Unzip the case
- > Attach the case lid to the rear stud to prevent contact with charcoal in the head
- > Insert the recharged MINI SNIPER in the case
- > Set your own strap length and buckle MINI SNIPER to your waist. Then you can enjoy your pipe anywhere and anytime
- > After having smoked the pipe, zip up the case. You may leave the hose or the stainless steel mouthpiece screwed in the pipe corpus and ready for another go.
- > **TIP:** The case strap can contain 3 plastic containers, which could be used to store accessories, tobacco...



## 6. STORAGE SPACE

- > Insert the complete pipe accessories into the attachable pouch
- > For easier attachment to the MINI SNIPER outdoor case strap the pouch is equipped with a snap hook and a clip





MINI SNIPER  
SET INCLUDES

